

## Technical Specification

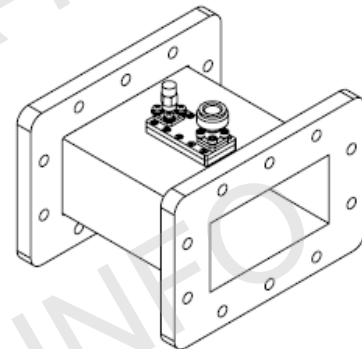
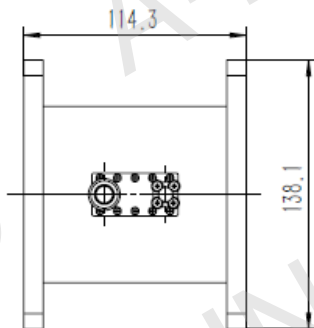
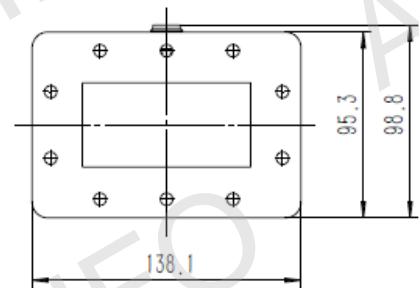
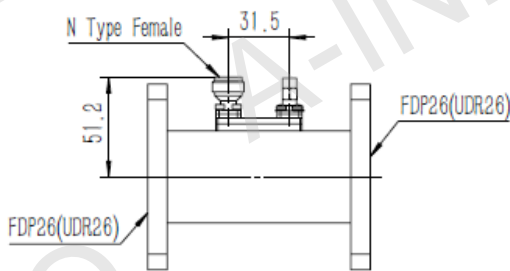


EIA WR	WR340
Frequency Range(GHz)	2.20 – 3.30
Coupling(dB)	60 Typ.
Directivity(dB)	15 Typ.
Insertion Loss(dB)	0.1 Max. (Not including the theoretical loss $4.34 \times 10^{-6}$ dB)
Mainline VSWR	1.10 Max.
Secondline VSWR	1.35 Max.
Flange	FDP26(UDR26)
Coupling Port	N-Female/SMA-Female
Material	Al
Net Weight(Kg)	0.68 Around

## Outline Drawing (Size: mm)

Coupling Port: N-Female

For SMA-Female connector Coupling Port outline drawing, please contact A-INFO.



AINFO Inc.

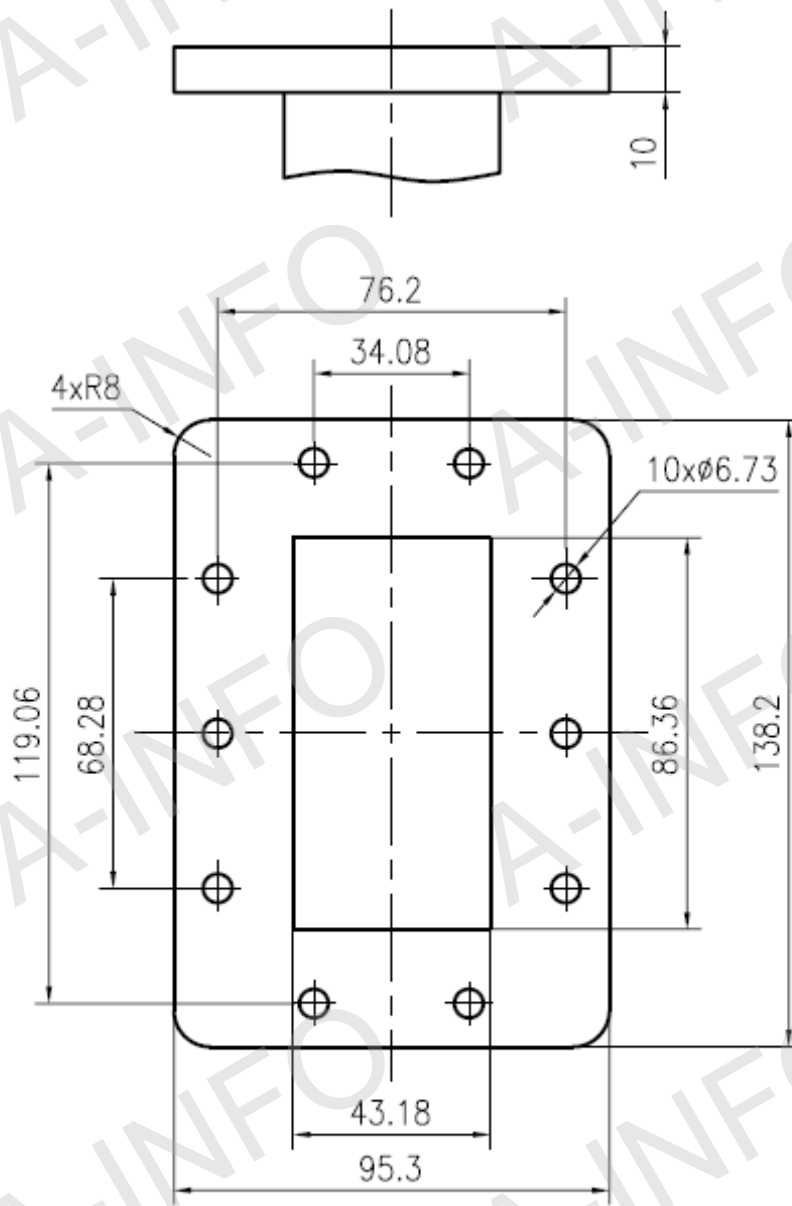
Page 1 of 5

China(Beijing): Tel: (+86) 10-6266-7326, (+86) 10-6266-7327 Fax: (+86) 10-6266-7379  
 China(Chengdu): Tel: (+86) 28-8519-2786, (+86) 28-8519-3044 Fax: (+86) 28-8519-3068  
 USA: Tel: (+1) 949-639-9688, (+1) 949-639-9608 Fax: (+1) 949-639-9670

Website: [www.ainfoinc.com](http://www.ainfoinc.com)  
 Email: [sales@ainfoinc.com](mailto:sales@ainfoinc.com)

Data subject to change without notice. For current data sheets, please contact: [Sales@ainfoinc.com](mailto:Sales@ainfoinc.com)

## Flange Drawing (Size: mm)



## FDP26

AINFO Inc.

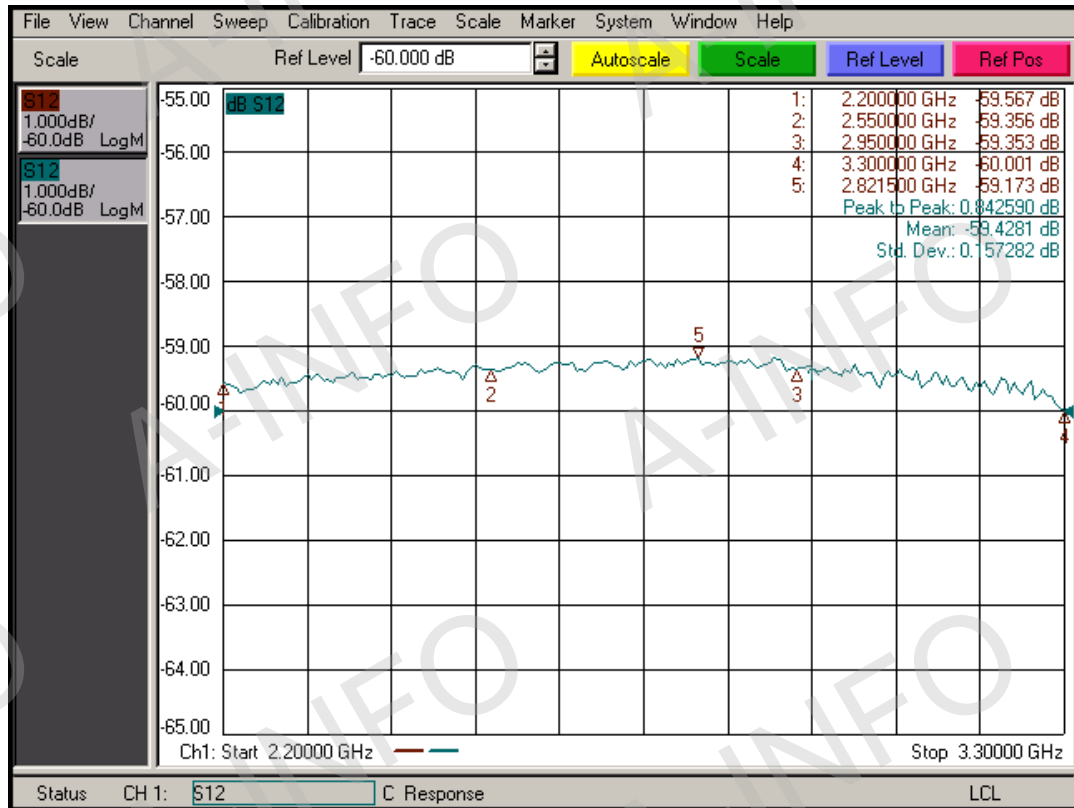
Page 2 of 5

China(Beijing): Tel: (+86) 10-6266-7326, (+86) 10-6266-7327 Fax: (+86) 10-6266-7379  
China(Chengdu): Tel: (+86) 28-8519-2786, (+86) 28-8519-3044 Fax: (+86) 28-8519-3068  
USA: Tel: (+1) 949-639-9688, (+1) 949-639-9608 Fax: (+1) 949-639-9670

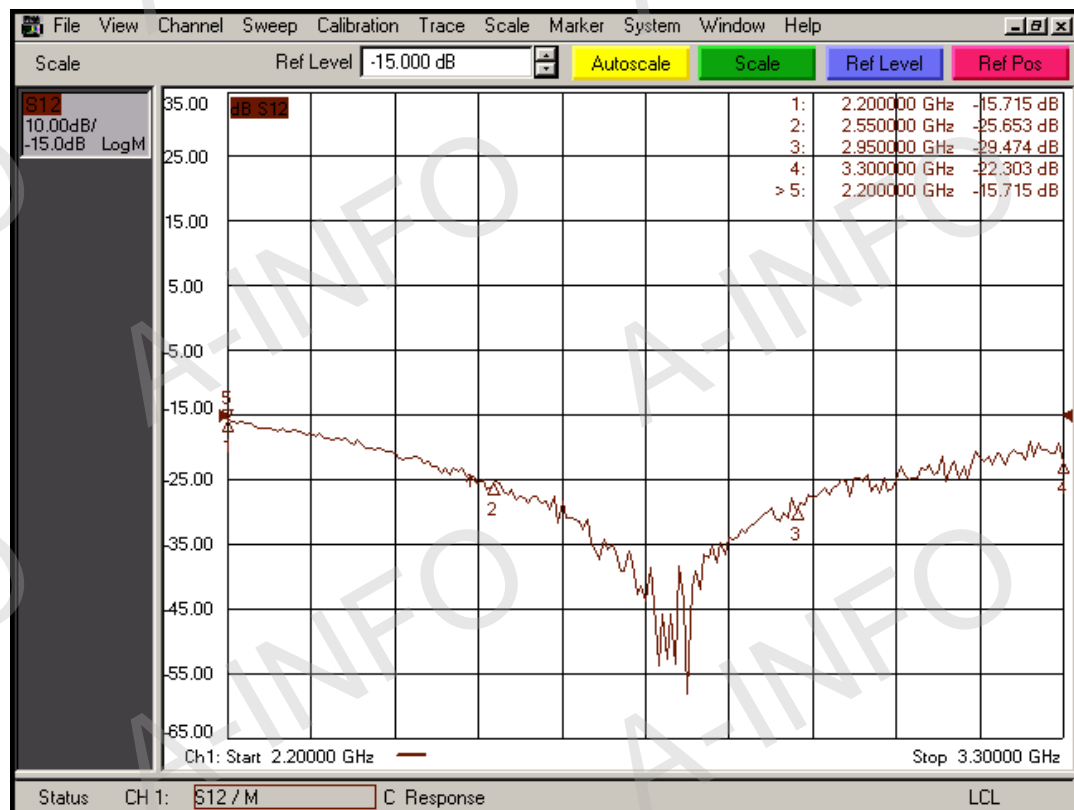
Website: [www.ainfoinc.com](http://www.ainfoinc.com)  
Email: [sales@ainfoinc.com](mailto:sales@ainfoinc.com)

## Test Results

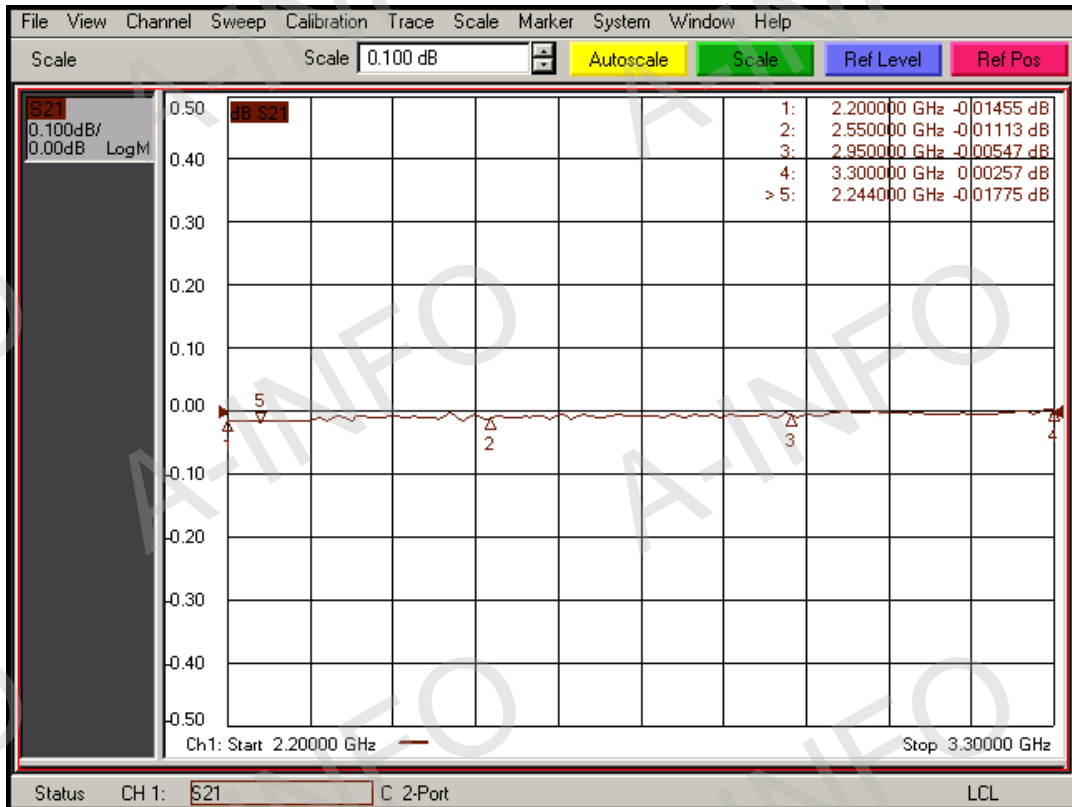
### Coupling



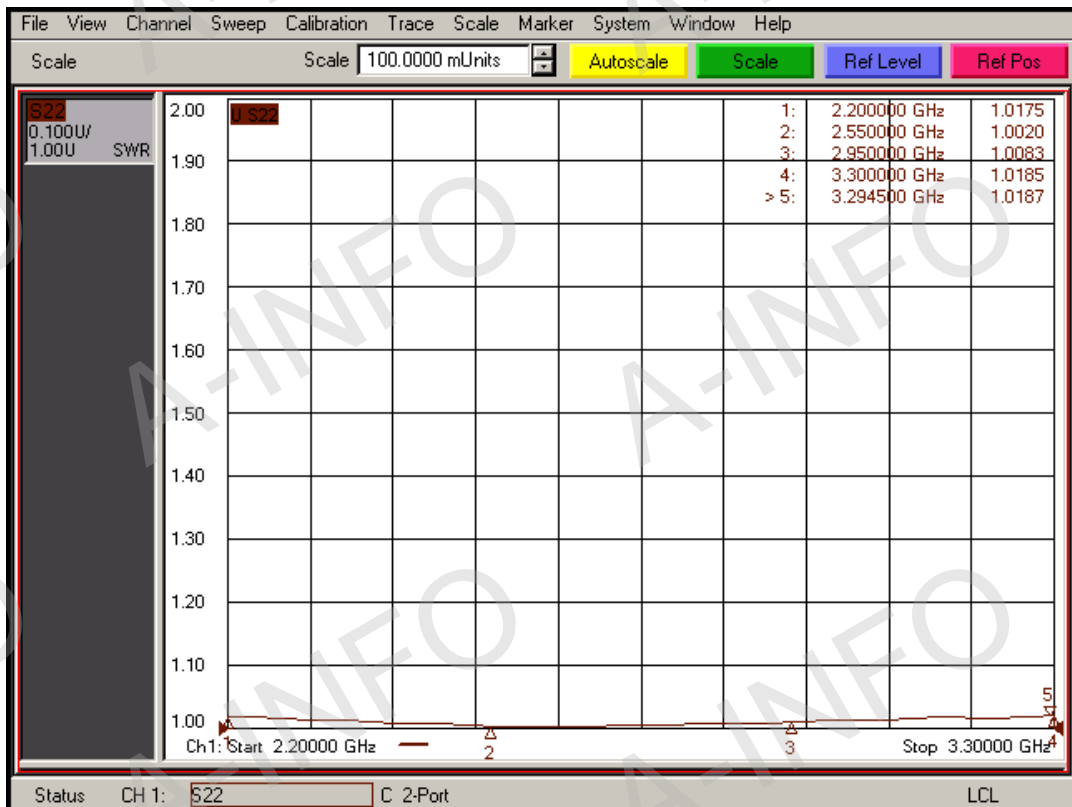
### Directivity



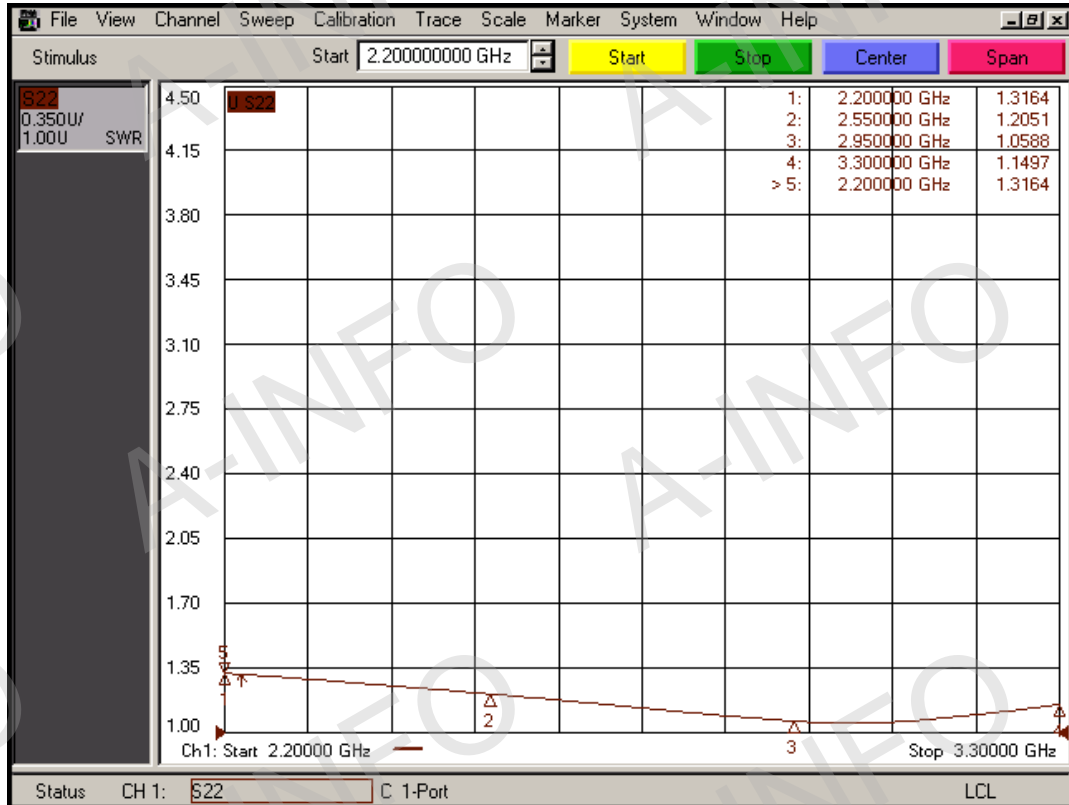
I.L. (Including the theoretical loss  $4.34 \times 10^{-6}$  dB)



Mainline VSWR



## Secondline VSWR



### AINFO Inc.